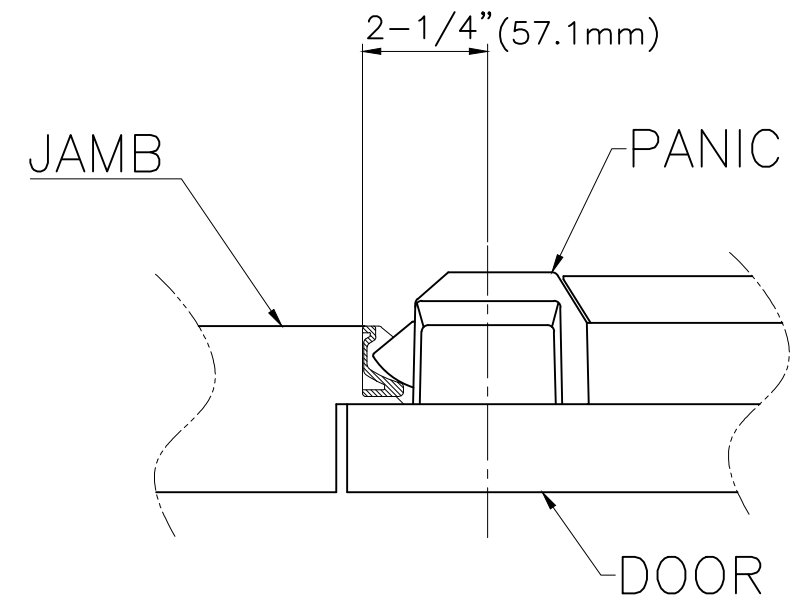
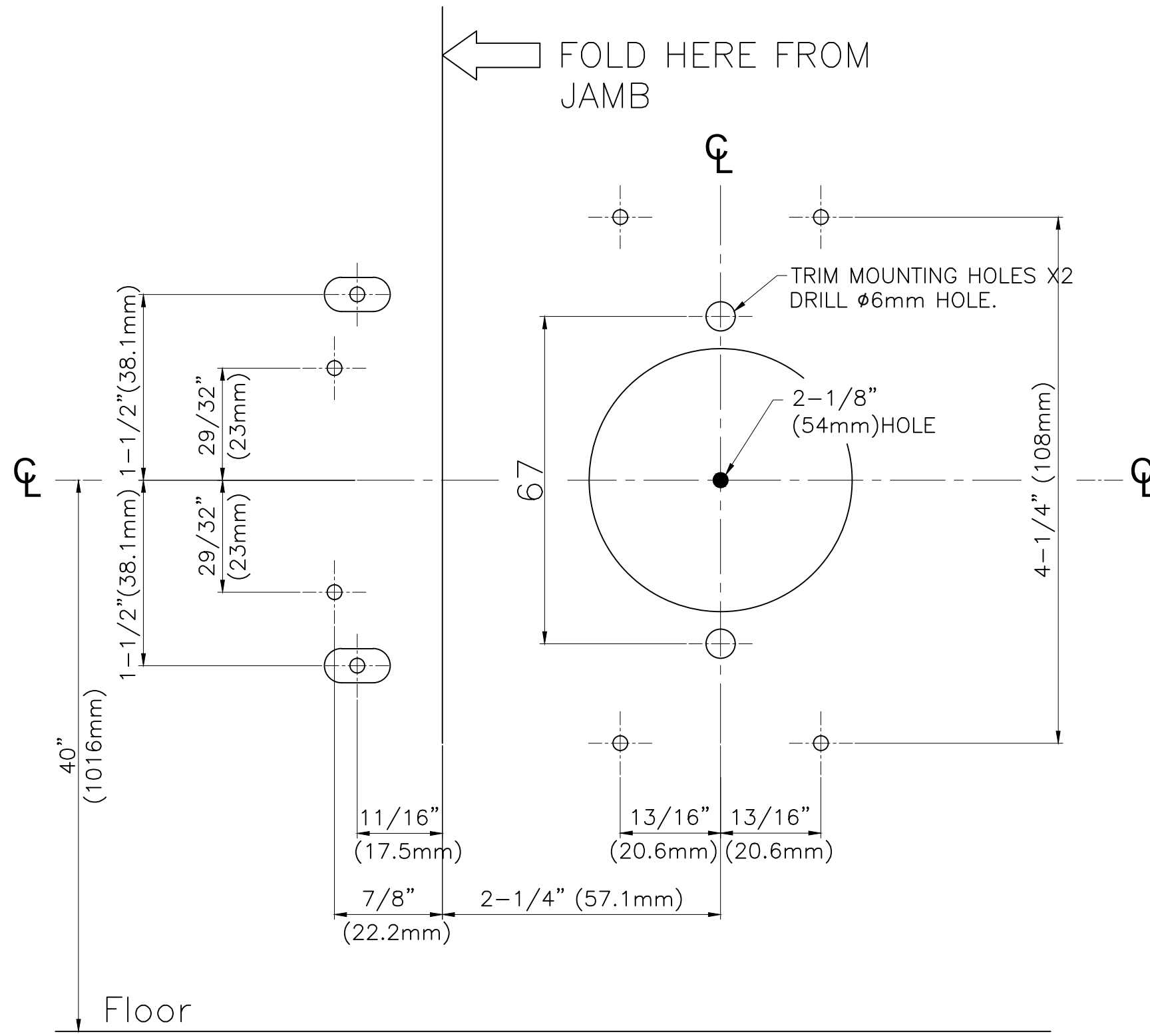


Rev.NO	DATE	REVISIONS	APPROVED
△			



PART NO	PART NAME	QUANTITY	MATERIAL	REMARK
UNLESS OTHERWISE SPECIFIED ALL DIMENSION ARE IN MILLIMETERS.				
DRAWN BY/DATE		MODEL		
DESIGNED BY/DATE		PART NAME		
CHECKED BY/DATE		DWG NO.		
APPROVED BY/DATE				

3RD-ANGLE PROTECTION

0 - 6	±0.1
6 - 30	±0.2
30 - 200	±0.3
ANGLE	±0.3°

**ANGEL ASSA ABLOY**